

Fig.1 Bucket Assembly



Fig. 3 Boom Assembly

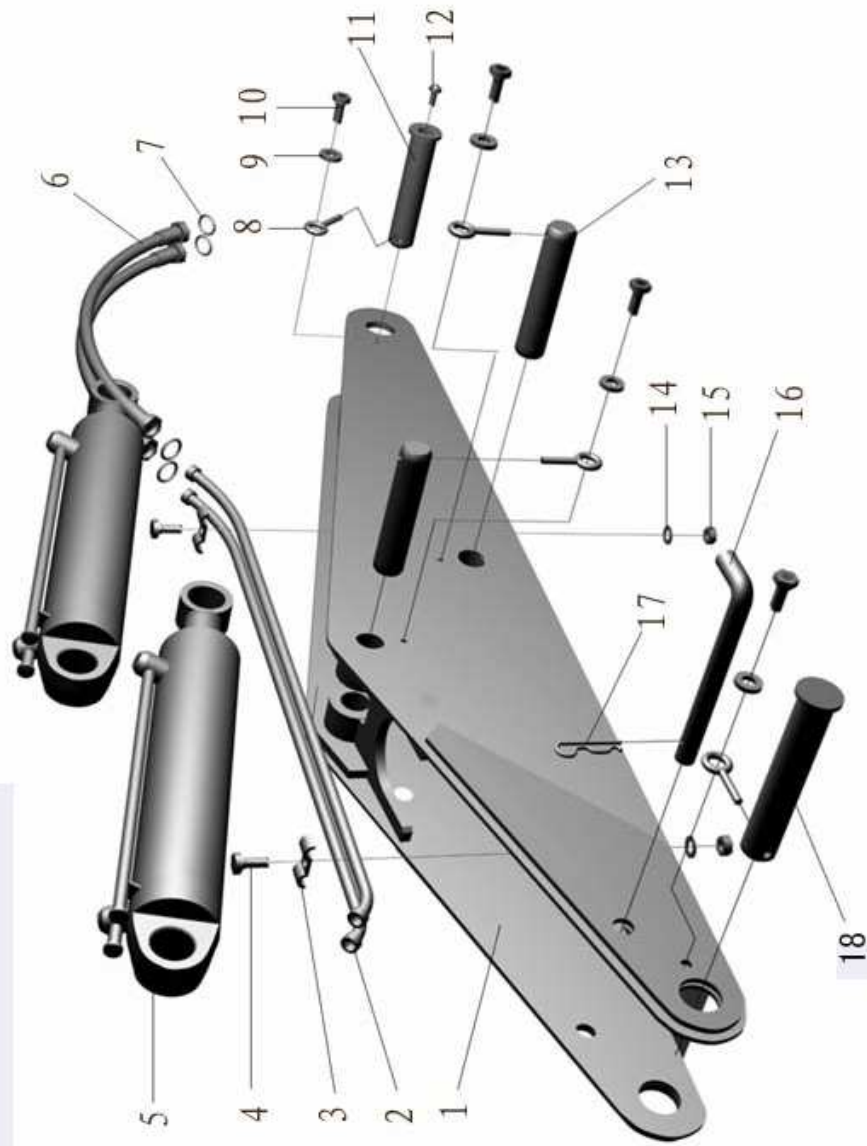
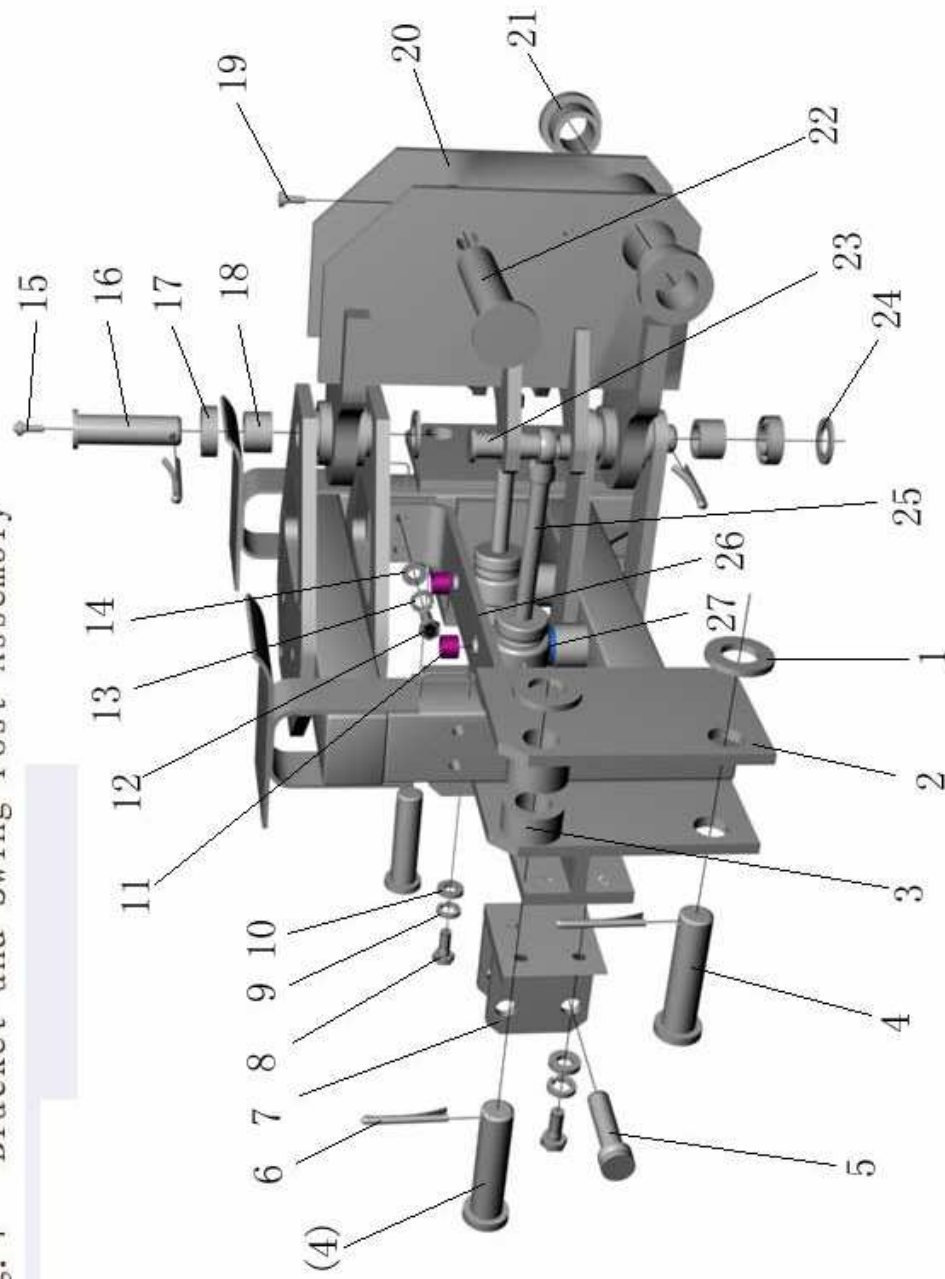


Fig. 4 Bracket and Swing Post Assembly



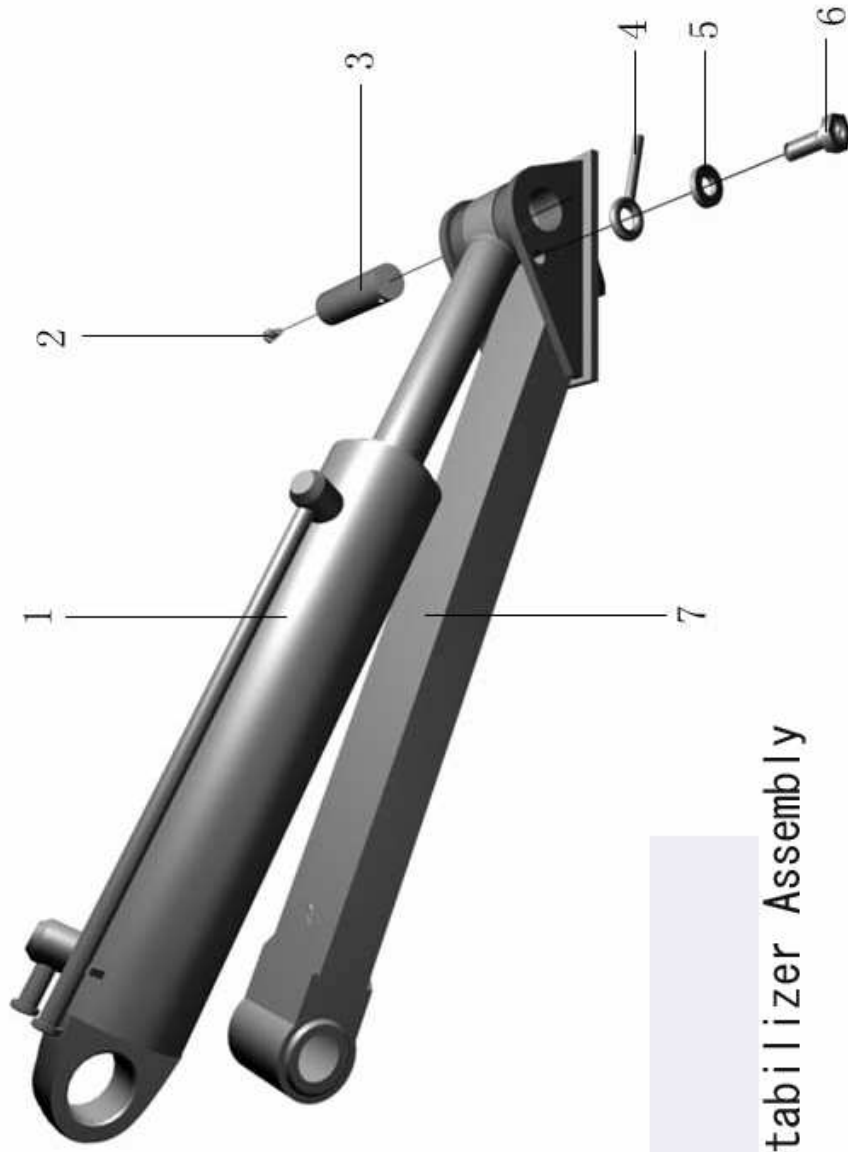


Fig. 5 Stabilizer Assembly

Fig. 6 Hydraulic System

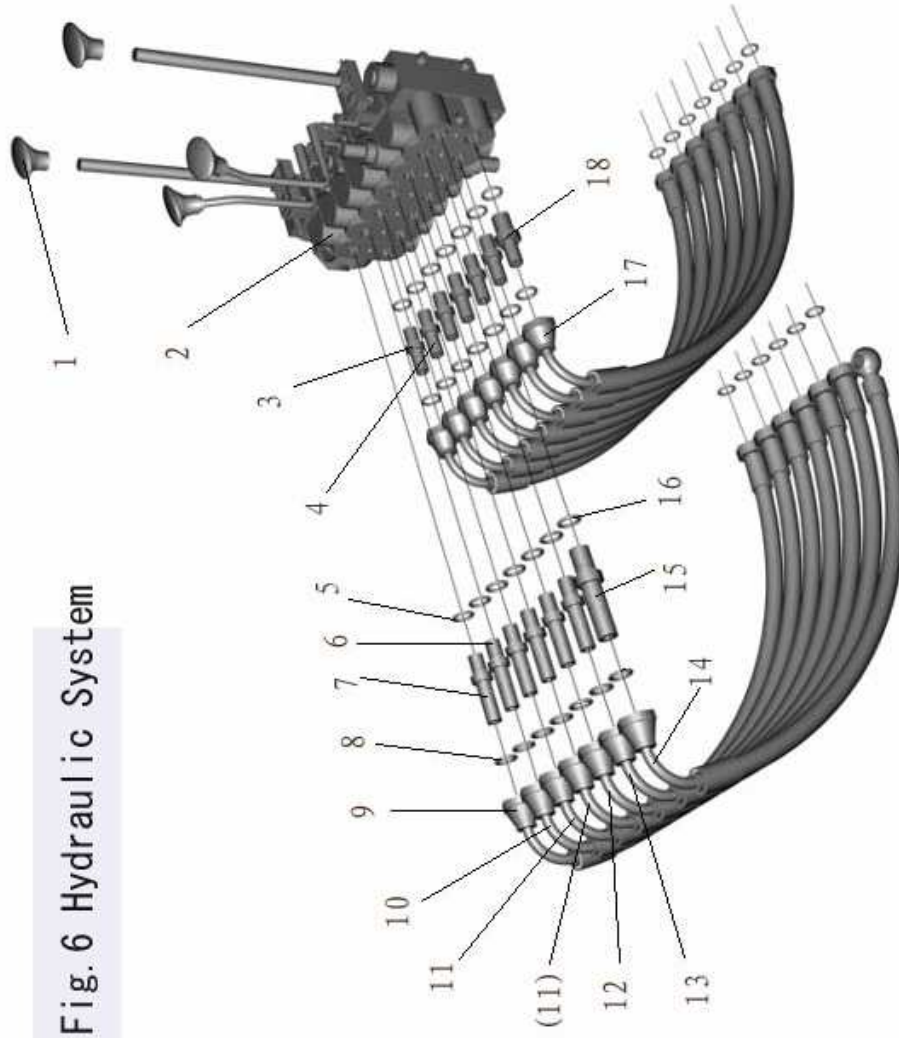




Fig. 8 Bracket of Valve Assembly

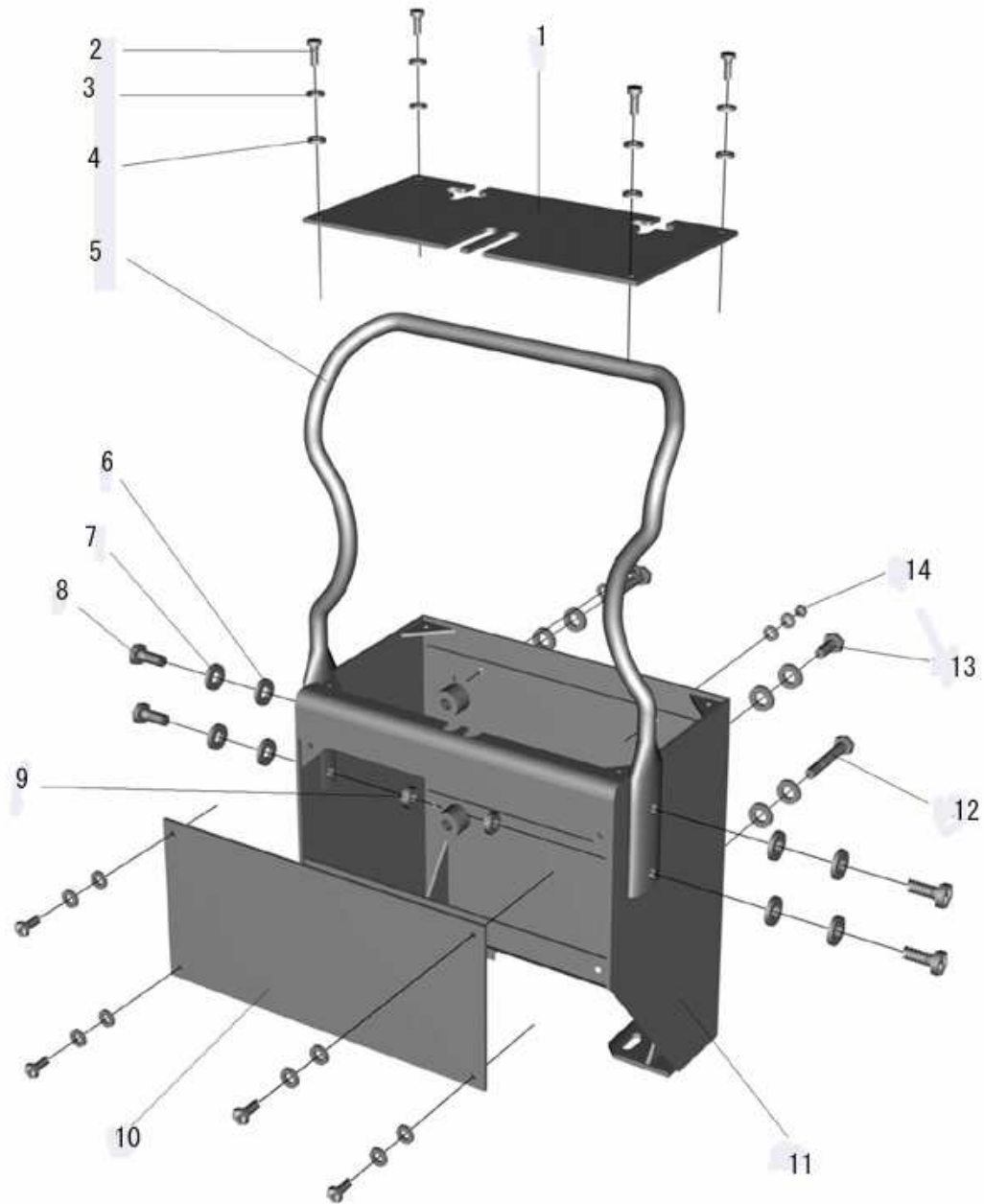


Fig.9 Seat Assembly

